



# HH15-QA Switch Disconnecter

## 1. General

### 1.1 Application

Mainly used in the distributing and motor circuit which has high short-circuit current, and acted as main switch or master switch infrequently operated by hand, it is particularly suitable in the relative high class with drawable low voltage complete equipment. They provide safety isolation and protection against overcurrent for any low voltage electrical circuit.

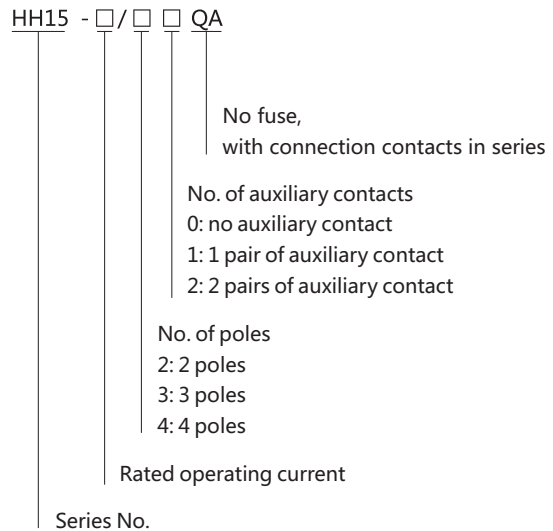
### 1.2 Standard: IEC/EN 60947-3.

### 1.3 General characteristic

Full-enclosed structure  
 Unique rolling insert type contact system.

## 2. Type designation

### 2.1 Ordering information



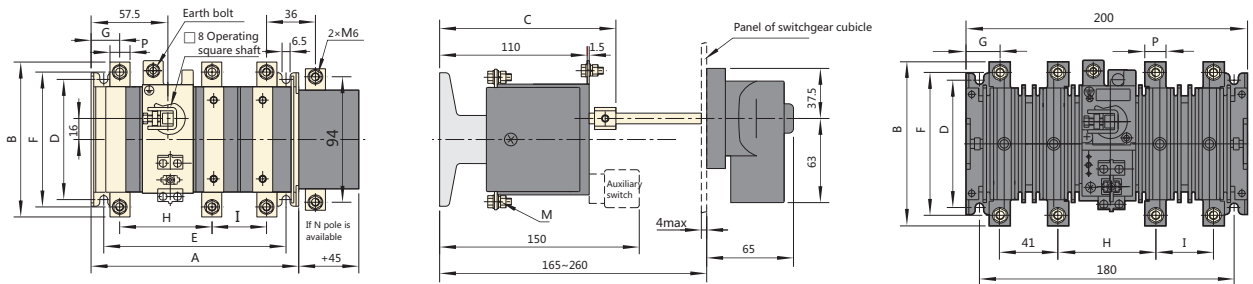
**Note: This switch may only be operated outside the cabinet.**

### 2.2 Technical data

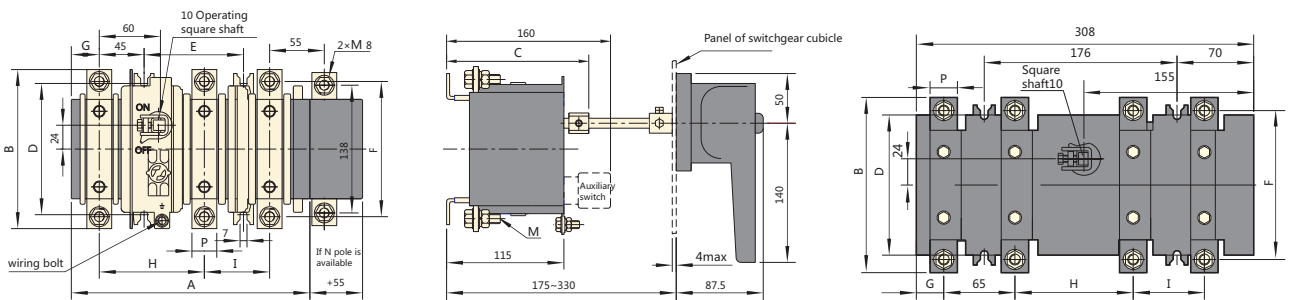
Specification	125	160	200	400	630	1000	1250	1600
No. of poles	3, 4, 3+N						3, 4	
Rated insulating voltage(V)	Ue=400V, Ui=690V. Ue=690V, Ui=1000V.						800	
Rated operating voltage Ue(V)	AC400						AC415	
	AC690						AC690	
Conventional thermal current(A)	125	160	200	400	630	1000	1250	1600
Rated operating current(A)	400V:AC-22B;415V:AC22B							
	125	160	200	400	630	1000	1250	1600
	690V: AC-21B							
	125	160	160	315	425	630	800	1000
690V: AC-22B								
Rated Short-circuit making capacity (Peak)(kA)	20	20	20	50	50	50	65	85
Rated Short-time withstand cuent(kA)	8	8	8	12.8	22.5	32	50	50
Mechanical life	15000	15000	15000	12000	12000	3000	1000	1000
Electric Life	1000	1000	1000	300	300	150	100	100
Operating torque (N·m)	7.5	7.5	7.5	16	16	30	30	30
Conventional thermal current of auxiliary contact Ith 400, AC-15(A)	5	5					-	

2.3 Dimension (mm)

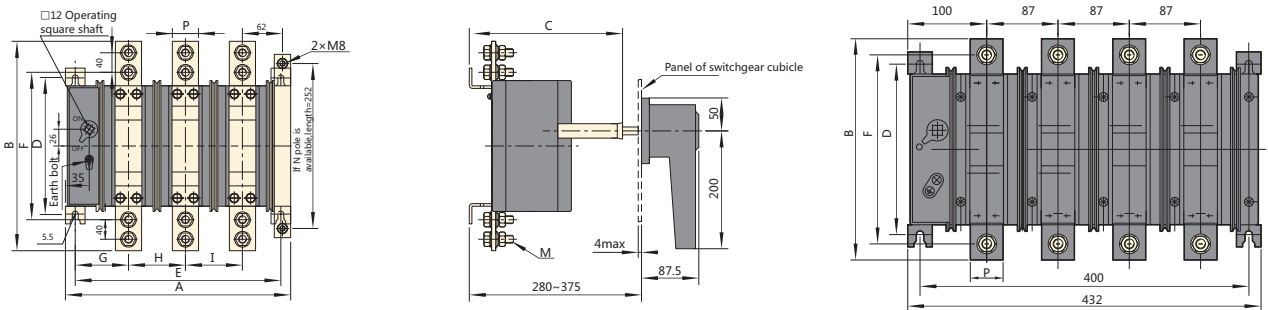
HH15-125/QA, 160/QA, 200/QA



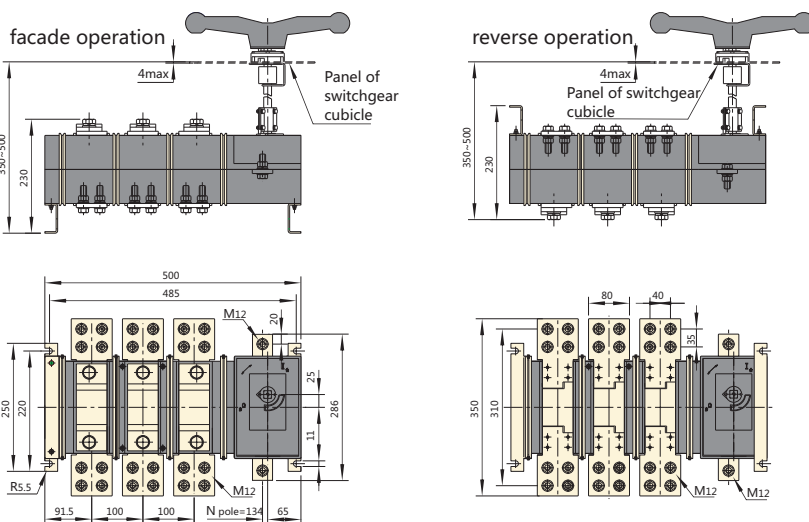
HH15-400/QA, 630/QA



HH15-1000/QA

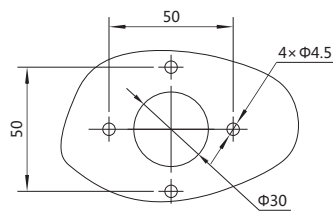
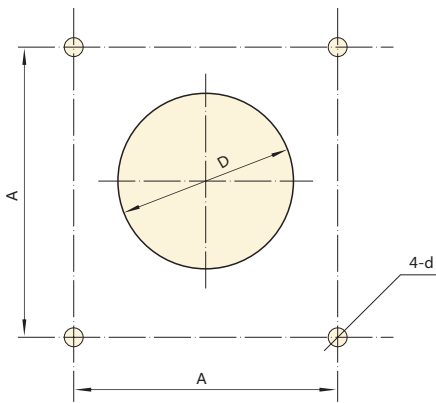


HH15-1250, 1600/QA



Specification	A	B	C	D	E	F	G	H	I	M	P
HH15-125/QA	155	116	133	90	135	101	21.5	69	41	6	15
HH15-160/QA	155	127	133	90	135	107	22.5	65	45	10	25
HH15-200/QA	155	127	133	90	135	107	22.5	65	45	10	25
HH15-400/QA	240	160	142	130	100	135	27	106	65	10	25
HH15-630/QA	240	200	142	130	100	135	27	106	65	12	40
HH15-1000/QA	345	350	188	208	315	230	82	87	87	12	50

2.4 Boring dimension (mm)



HH15-1250, 1600/QA  
Openingsizeofthehandlemountingpanel

Specification	A	D	d
HH15-125~200/QA HH15-250/QP	65±0.2	Φ42 <sup>+4</sup> <sub>0</sub>	Φ4.5 <sup>+0.5</sup> <sub>0</sub>
HH15-400~1000/QA	88±0.2	Φ63 <sup>+2</sup> <sub>0</sub>	Φ5.5 <sup>+0.5</sup> <sub>0</sub>